

LOCATION MAP



LOGAN COUNTY
ENGINEER'S OFFICE
SCOTT C. COLEMAN, P.E., P.S.
COUNTY ENGINEER

ZANESFIELD DRAINAGE PROJECT PHASE 3

VILLAGE OF ZANESFIELD
2019

PROJECT DESCRIPTION

This project will begin at Sandusky Street/CR 5 and proceed west to Main Street, turn north and run parallel with Main Street and terminate after crossing under Bellefontaine Street/CR 10. Project also includes tile installation from the west for approximately 40 feet, under Main Street. The project will include a concrete box structure under Bellefontaine Street/CR 10, new drainage tiles under Main Street, Walnut Alley, and Green Alley, and ditch work. The total length of the project is approximately 940 feet. All quality spoil is to be removed from the site.

CONVENTIONAL SYMBOLS

PROPOSED PROFILE	_____
EXISTING PROFILE	-----
PROPERTY LINE	_____ PL _____ PL _____ PL
EXISTING RIGHT-OF-WAY	_____ EX. R/W _____
PROPOSED RIGHT-OF-WAY	_____ PR. R/W _____

INDEX OF SHEETS

TITLE SHEET	-----	1
SITE PLAN	-----	2
PLAN & PROFILE	-----	3-4
CROSS-SECTIONS	-----	5-9
SECTION VIEWS	-----	10-12

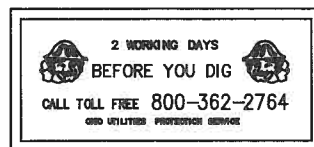
GENERAL NOTES

-STAKING WILL BE DONE BY THE LOGAN COUNTY ENGINEER'S OFFICE

APPROVALS

WE, THE VILLAGE OF ZANESFIELD OF LOGAN COUNTY, OHIO, HEREBY APPROVE THESE PLANS AND DECLARE THAT THE NECESSARY RIGHT-OF-WAY IS AVAILABLE FOR THIS IMPROVEMENT.

7/2/19
DATE
VILLAGE OF ZANESFIELD



PLANS PREPARED BY:
LOGAN COUNTY ENGINEER'S OFFICE
1991 C.R. 13, P.O. BOX 427
BELLEFONTAINE, OHIO 43311

ENGINEER'S SEAL

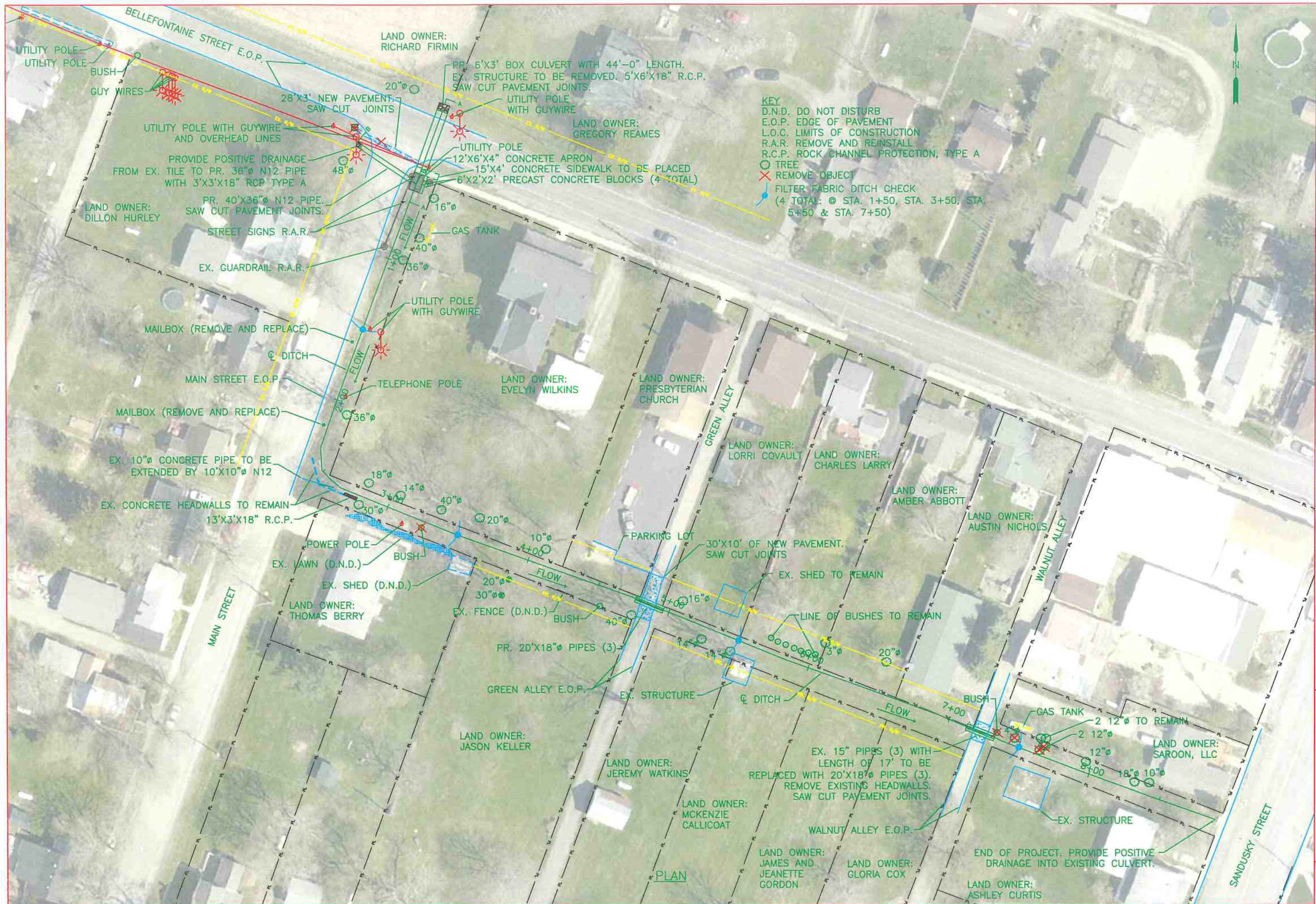
SIGNED: _____
DATE: _____

STANDARD CONSTRUCTION DRAWINGS		SUPPLEMENTAL SPECIFICATIONS
HW-2.1	7-20-18	O.D.O.T. CONSTRUCTION AND MATERIALS SPECIFICATIONS, DATED JANUARY 1, 2016
		THE LOGAN COUNTY STORMWATER REGULATIONS
		THE LOGAN COUNTY SUBDIVISION REGULATIONS
		THE LOGAN COUNTY TECHNICAL DESIGN STANDARDS

I HEREBY APPROVE THIS PLAN AND DECLARE THAT THE MAKING OF THIS IMPROVEMENT WILL REQUIRE THE CLOSING OF THE HIGHWAY TO THROUGH TRAFFIC, AND THAT PROVISIONS FOR THE MAINTENANCE AND SAFETY OF TRAFFIC WILL BE AS SET FORTH ON THESE PLANS AND ESTIMATES.

7-2-19
DATE
Scott C Coleman
LOGAN COUNTY, OHIO, ENGINEER

FEDERAL PROJECT NO. NON-FEDERAL
PID NO. NONE
WORK ORDER NO. 5710
RAILROAD INVOLVEMENT NONE
PHASE 3
1/12



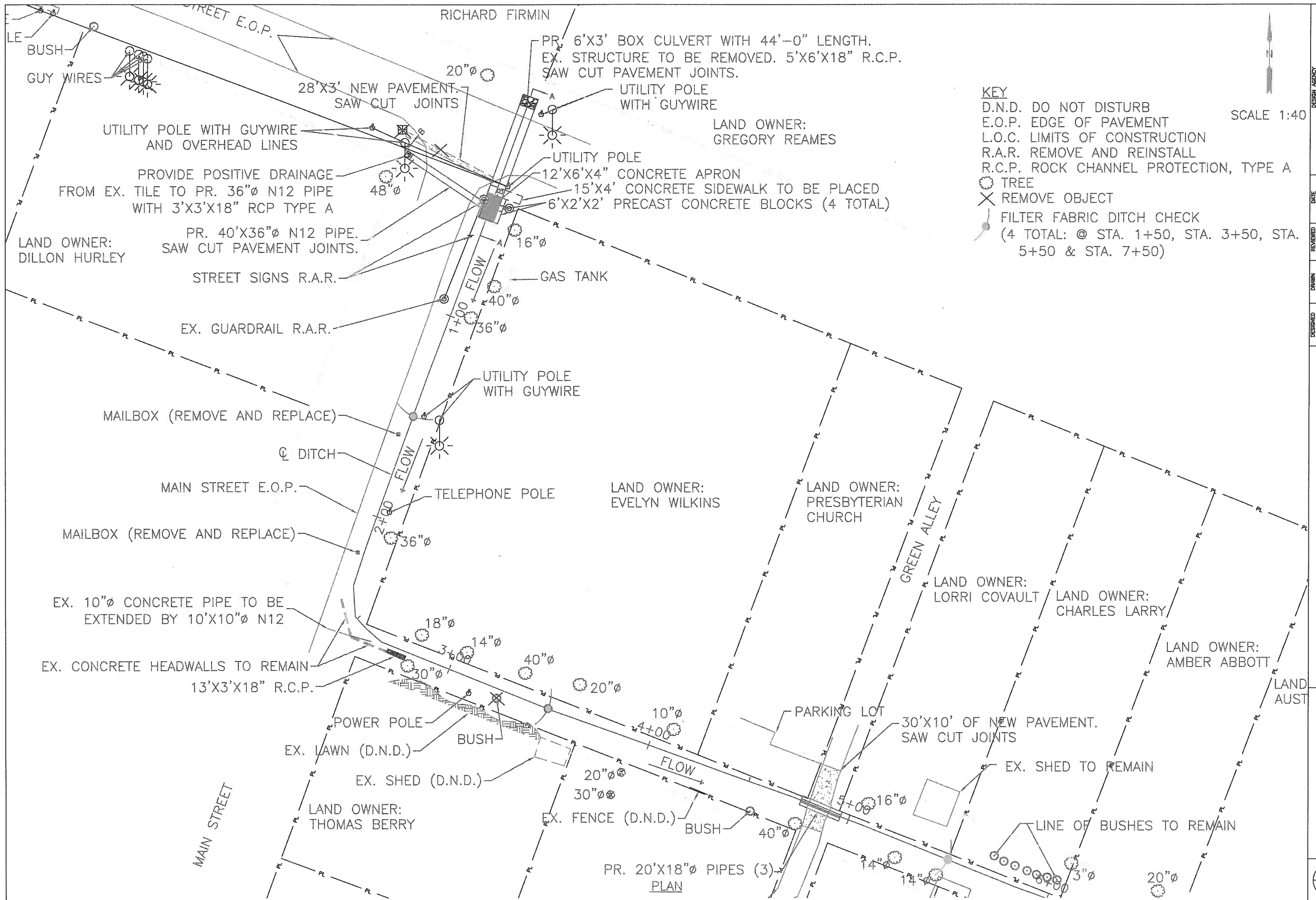
DESIGN AGENCY
 LOGAN COUNTY ENGINEER'S OFFICE
 1991 C.R. 13, P.O. BOX 427
 BELLEFONTAINE, OHIO 43311

DESIGNED	MJK	CHECKED	SCC
DRAWN	MJK	REVISED	
REVIEWED	WTB	WORK ORDER NUMBER	5710
DATE	5/08/2019		

SITE PLAN
 STA. 0+00 TO 8+90

PHASE 3

2
 12



KEY
 D.N.D. DO NOT DISTURB
 E.O.P. EDGE OF PAVEMENT
 L.O.C. LIMITS OF CONSTRUCTION
 R.A.R. REMOVE AND REINSTALL
 R.C.P. ROCK CHANNEL PROTECTION, TYPE A
 ○ TREE
 ✕ REMOVE OBJECT
 ● FILTER FABRIC DITCH CHECK
 (4 TOTAL: ● STA. 1+50, STA. 3+50, STA. 5+50 & STA. 7+50)

SCALE 1:40

LOGAN COUNTY ENGINEER'S OFFICE
 1991 C.R. 13, P.O. BOX 427
 BELLEFONTAINE, OHIO 43311

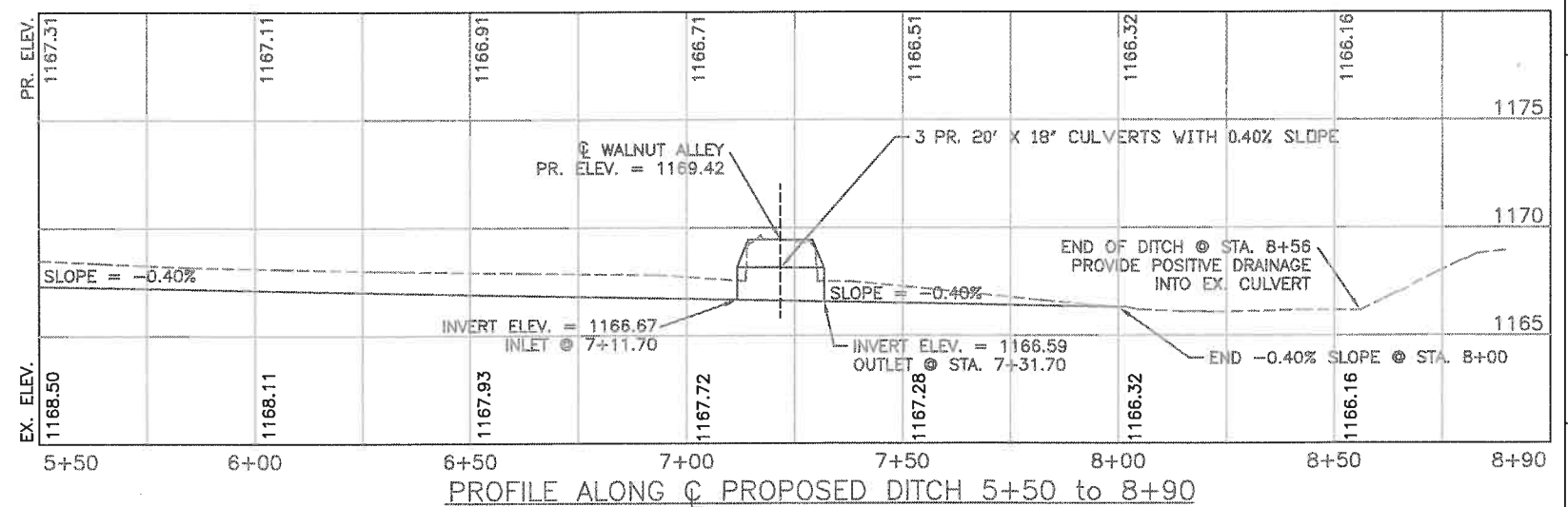
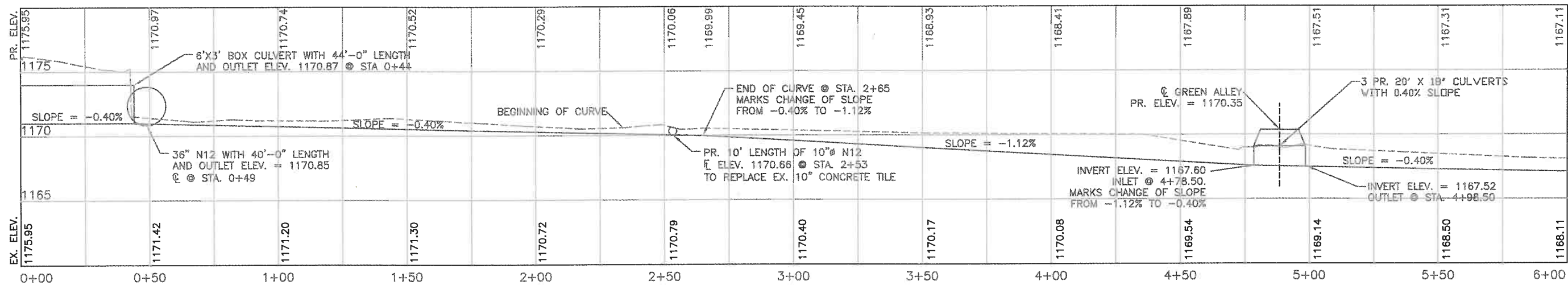
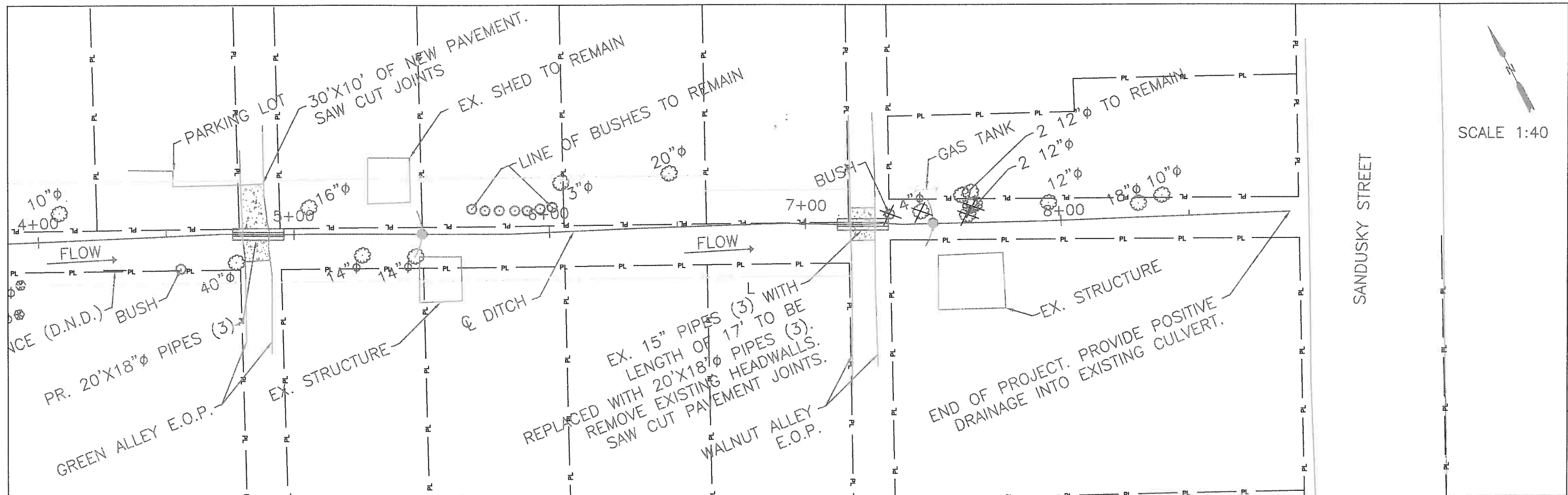
DESIGNED	MAJK	SCC
DRAWN	MAJK	REVISED
REVIEWED	WTB	WORK ORDER NUMBER
DATE	5/08/2019	5710

PLAN
 STA. 0+00 TO 5+00

PHASE 3

3
12

PR. 20'X18" PIPES (3)
 PLAN



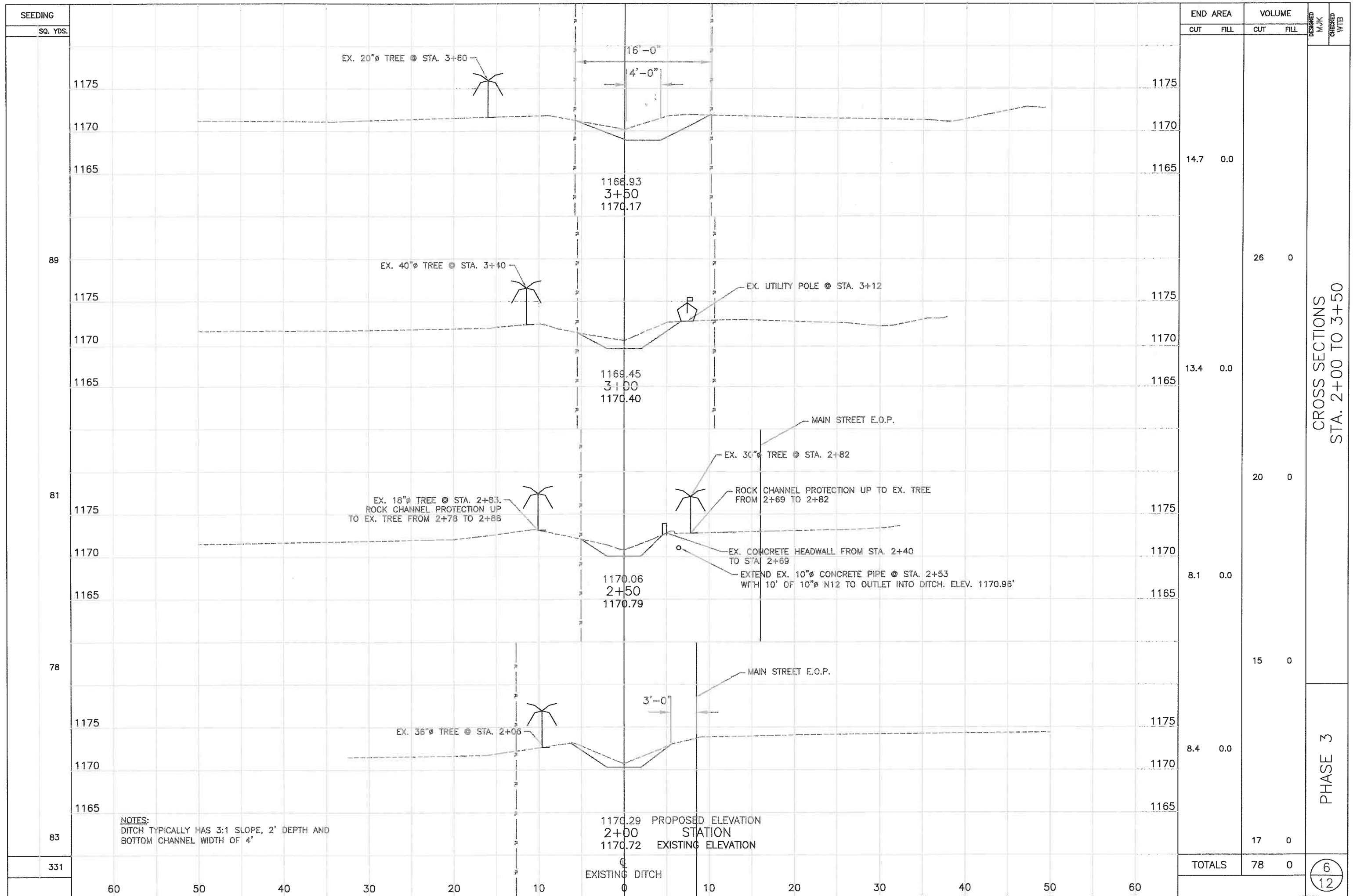
DESIGN AGENCY
LOGAN COUNTY ENGINEER'S OFFICE
1991 C.R. 13, P.O. BOX 427
BELLEFONTAINE, OHIO 43311

DATE 5/08/2019
REVIEWED WTB
DRAWN MAJK
DESIGNED MAJK
CHECKED SCC
WORK ORDER NUMBER 5710

PLAN STA. 5+00 TO 8+90
& PROFILE STA. 0+00 TO 8+90

PHASE 3

4
12



CROSS SECTIONS
STA. 2+00 TO 3+50

PHASE 3

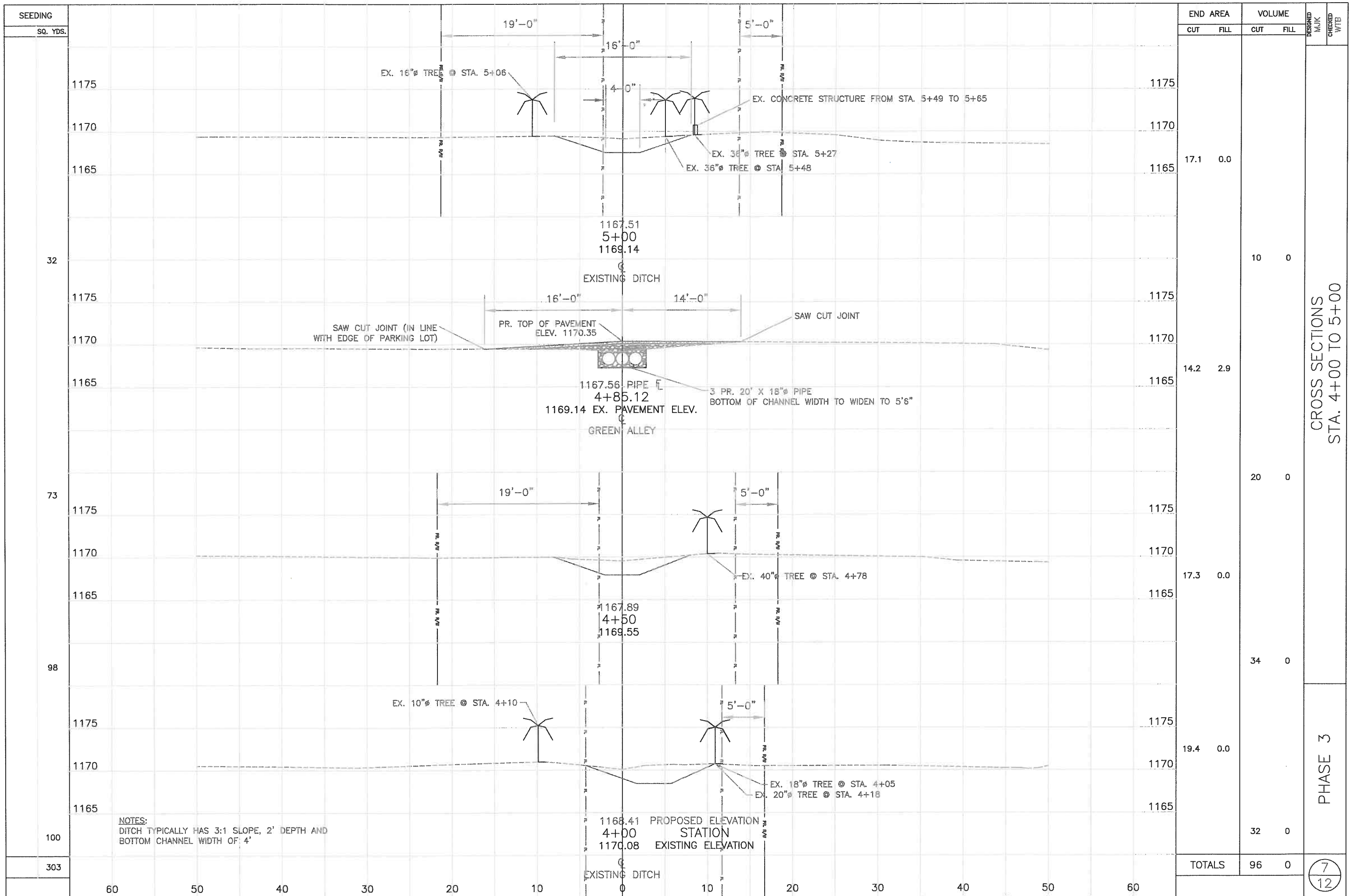
SEEDING	SQ. YDS.	END AREA		VOLUME		DESIGNED MAJK	CHECKED WTB
		CUT	FILL	CUT	FILL		
		14.7	0.0				
89				26	0		
		13.4	0.0				
81				20	0		
		8.1	0.0				
78				15	0		
		8.4	0.0				
83				17	0		
331		TOTALS		78	0		

6
12

NOTES:
DITCH TYPICALLY HAS 3:1 SLOPE, 2' DEPTH AND
BOTTOM CHANNEL WIDTH OF 4'

1170.29 PROPOSED ELEVATION
2+00 STATION
1170.72 EXISTING ELEVATION

EXISTING DITCH



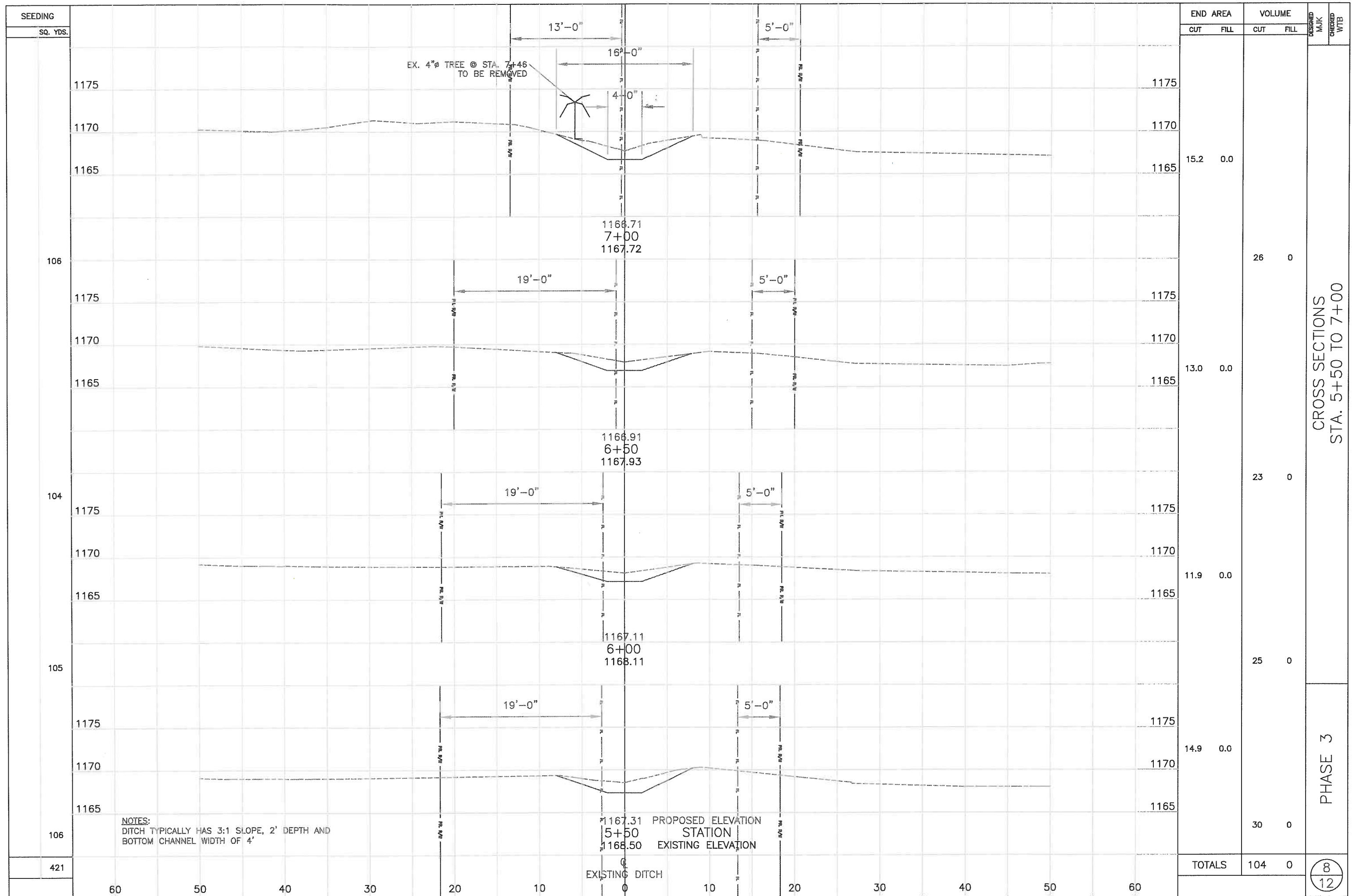
NOTES:
DITCH TYPICALLY HAS 3:1 SLOPE, 2' DEPTH AND
BOTTOM CHANNEL WIDTH OF 4'

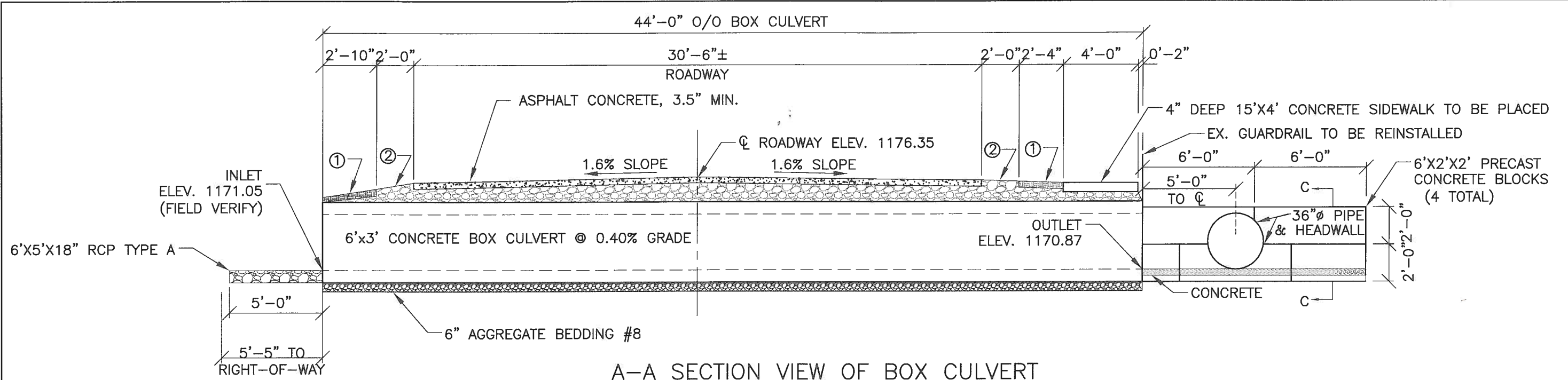
1168.41 PROPOSED ELEVATION
4+00 STATION
1170.08 EXISTING ELEVATION

CROSS SECTIONS
STA. 4+00 TO 5+00

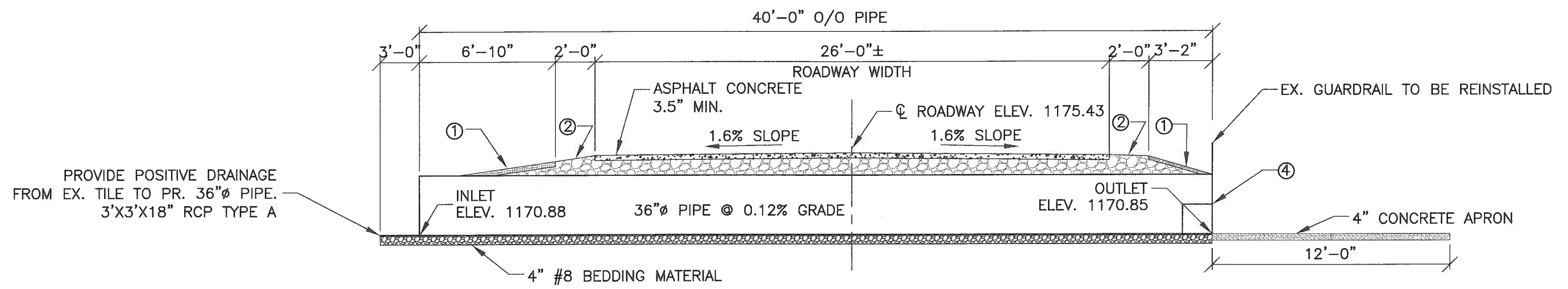
PHASE 3

7
12

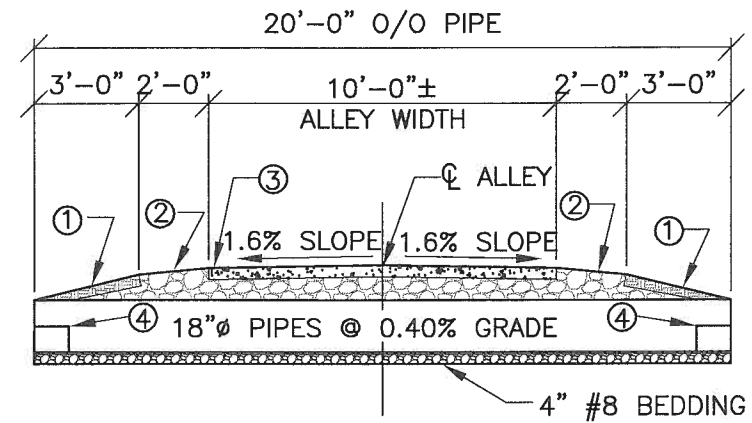




A-A SECTION VIEW OF BOX CULVERT
CROSSING UNDER BELLEFONTAINE STREET



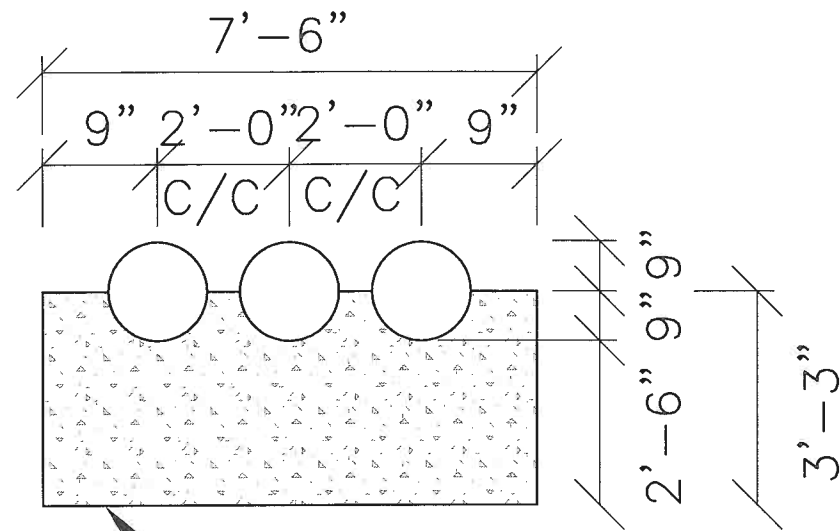
B-B SECTION VIEW OF 36" PIPE
CROSSING UNDER MAIN STREET



TYPICAL SECTION VIEW OF 18" PIPES CROSSING
UNDER GREEN ALLEY AND WALNUT ALLEY

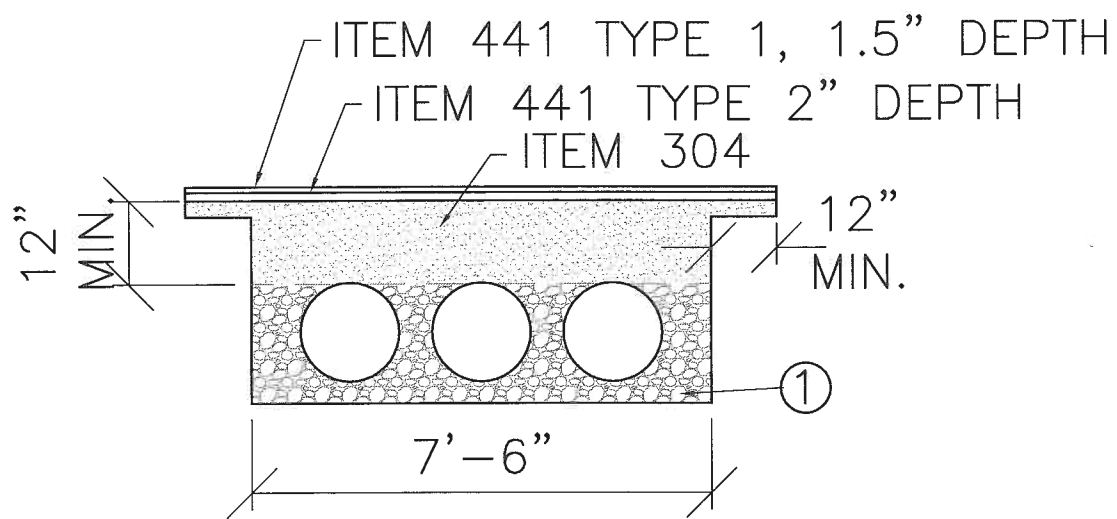
- KEY
- ① 4" TOPSOIL
 - ② NO. 304 STONE, 3" MIN.
BERM HAS 0.083 SLOPE.
 - ③ ASPHALT CONCRETE, 3.5" MIN.
 - ④ CONCRETE HEADWALL

DESIGN AGENCY	LOGAN COUNTY ENGINEER'S OFFICE
	1991 C.R. 13, P.O. BOX 427
	BELLEFONTAINE, OHIO 43311
DATE	5/08/2019
REVIEWED	MTB
WORK ORDER NUMBER	5710
DESIGNED	MJK
CHECKED	SCC
SECTION VIEWS OF PIPES	
PHASE 3	
10	12



12" THICK CONCRETE HEADWALL

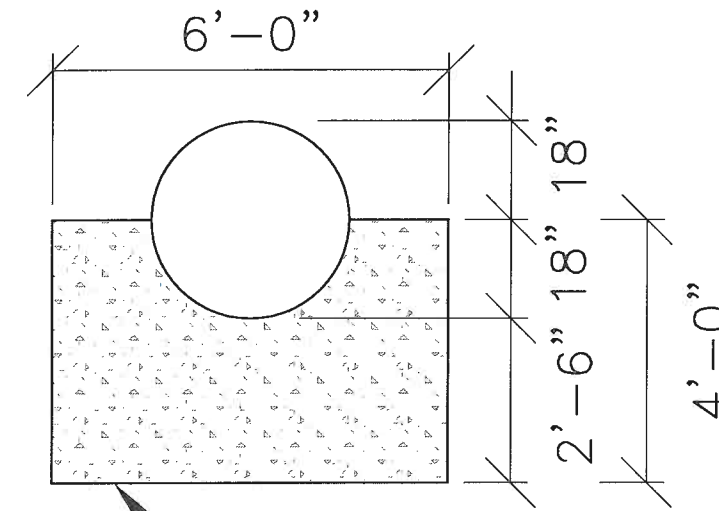
TYPICAL SECTION VIEW OF HEADWALLS OF 18"Ø PIPES



TYPICAL SECTION VIEW OF 18"Ø PIPES CROSSING UNDER GREEN AND WALNUT ALLEY

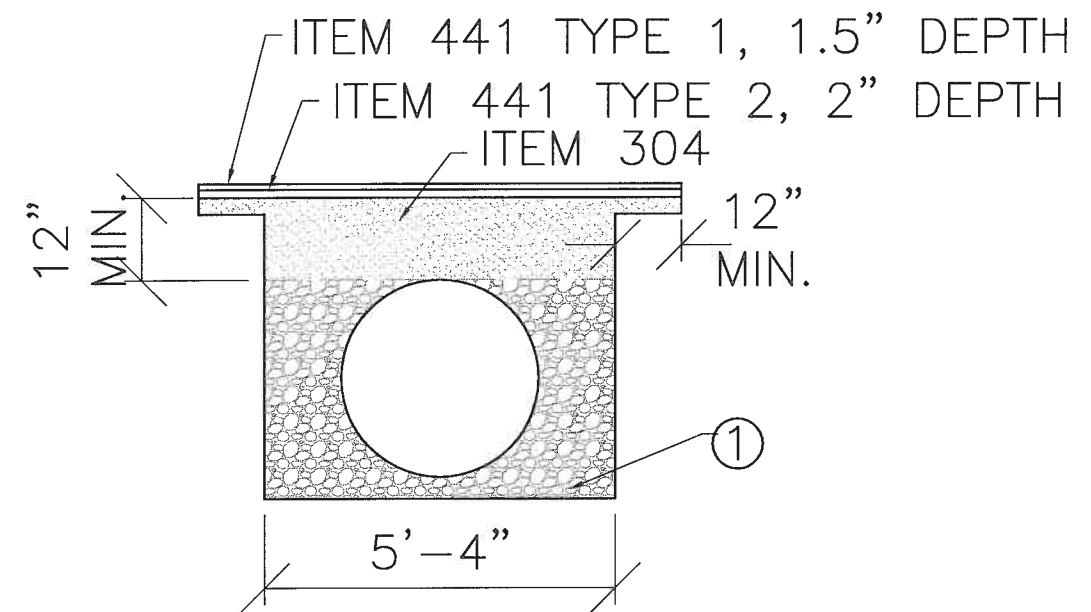
KEY

① NO. 8 AGGREGATE FILL, INCLUDES 4" BEDDING MATERIAL

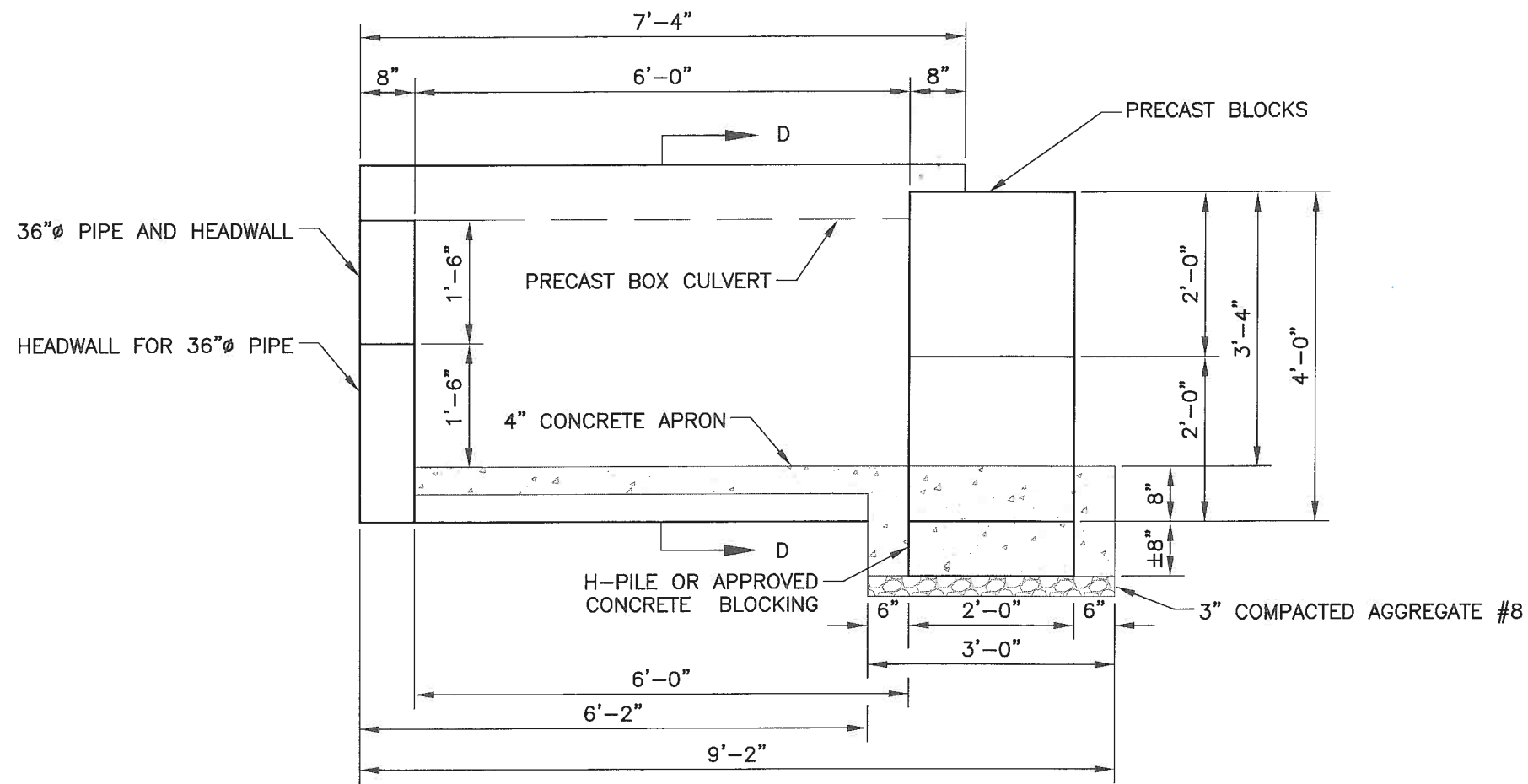


12" THICK CONCRETE HEADWALL

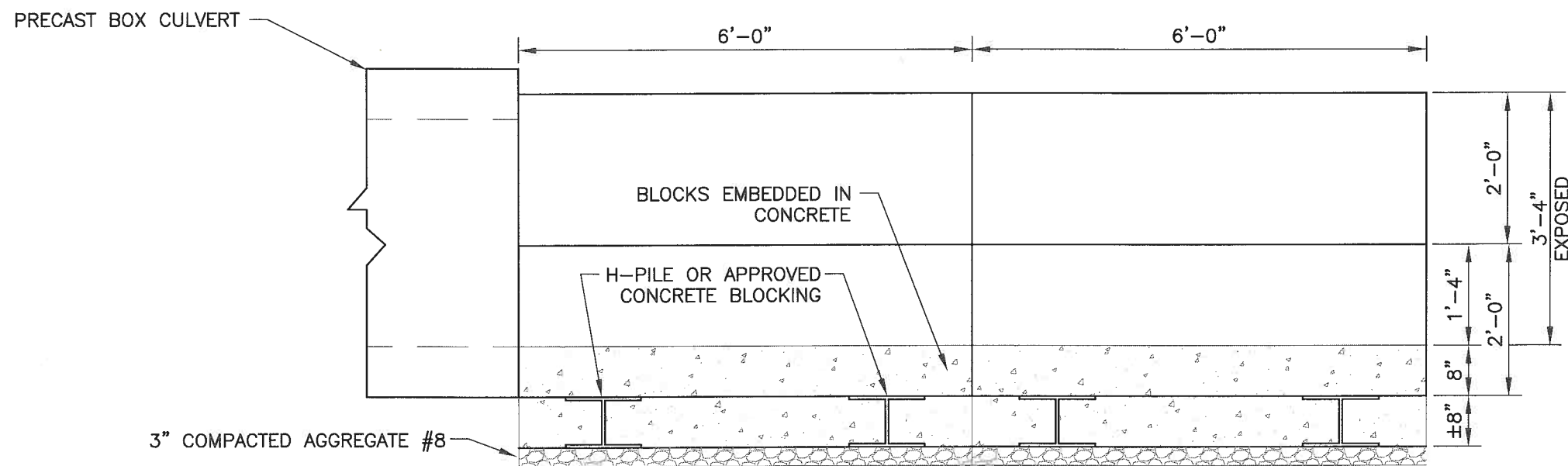
SECTION VIEW OF HEADWALL OF 36"Ø PIPE



SECTION VIEW OF 36"Ø PIPE CROSSING UNDER MAIN STREET



C-C SECTION VIEW
OF PRECAST BLOCKS



D-D SECTION VIEW
OF PRECAST BLOCKS